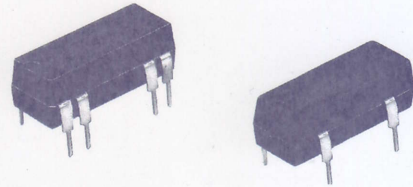


SERIES 80

DIP REED RELAYS

REED RELAYS SERIES 80

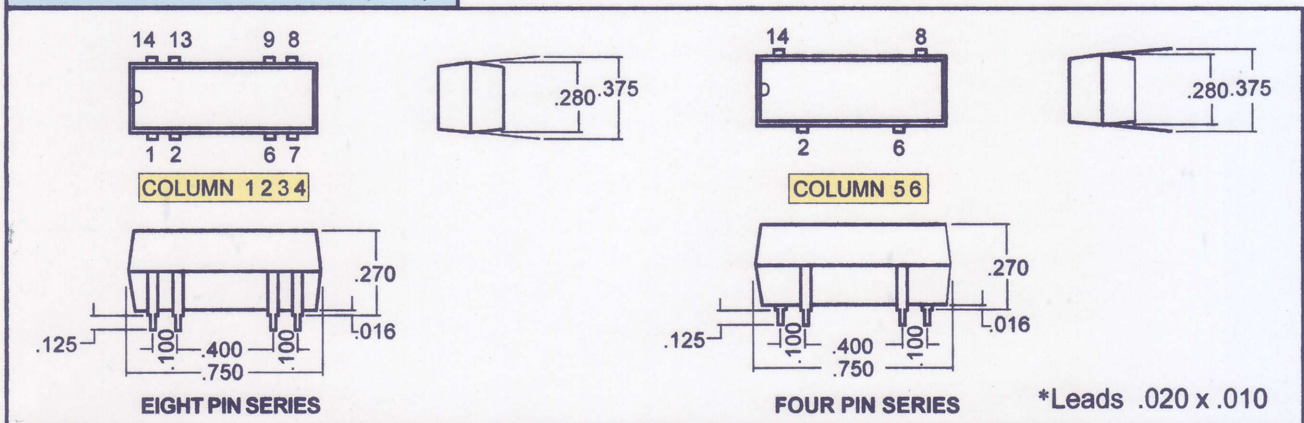
INDUSTRY STANDARD PACKAGE
 TRANSFER MOLDED FOR ENVIRONMENTAL PROTECTION
 MINIATURE SIZE
 COMPATIBLE WITH *DIP* HANDLING, SORTING AND PCB INSERTION EQUIPMENT
 OPTIONAL SHIELDING AND DIODES
UL MODELS ARE AVAILABLE
 HIGH PERFORMANCE *DIP* REED RELAYS ARE AVAILABLE IN LOW COST LEAD
 FRAME CONFIGURATIONS.
 OFFERING EXTREMELY EASY ACCESS, THESE SUPERBLY ENGINEERED RELAYS
 ARE MADE TO PROVIDE RELIABLE TROUBLE FREE OPERATIONS AT INEXPENSIVE PRICES.



CONTACT RATINGS (RESISTIVE LOADS)

COLUMN NUMBER	1	2	3	4	5	6
PARAMETERS	1 FORM A SPST	1 FORM B SPST	1 FORM A SPST	1 FORM C SPDT	1 FORM A SPST	1 FORM B SPST
VOLTAGE (MAX.SWITCHING)	200 VDC			100 VDC	200 VDC	200 VDC
CURRENT (MAX.SWITCHING)	.5 AMPS			.25 AMPS	.5 AMPS	.5 AMPS
POWER (MAX.SWITCHING)	10 WATTS			3.0 WATTS	10 WATTS	10 WATTS
CURRENT (MAX.CARRY)	1 AMP			.5 AMPS	1.0 AMPS	1.0 AMPS
CONTACT RESISTANCE (INITIAL)	.15 OHMS			.15 OHMS	.15 OHMS	.2 OHMS
OPERATE TIME (MAX) (INCLUDING BOUNCE)	1.0 MS			2.0 MS	1.0 MS	1.0 MS
RELEASE TIME (MAX)	.5 MS			2.5 MS	.5 MS	.5 MS
TEMPERATURE	-55°C TO +85°C			-55°C TO +85°C	-55°C TO +85°C	-55°C TO +85°C
BREAKDOWN VOLTAGE OPEN CONTACTS	250 VDC			200 VDC	250 VDC	250 VDC
CONTACT TO COIL	1500 VDC			1500 VDC	1500 VDC	1500 VDC
INSULATION RESISTANCE OPEN CONTACTS	10 ¹⁰ OHMS			10 ⁸ OHMS	10 ¹⁰ OHMS	10 ¹⁰ OHMS
CONTACT TO COIL	10 ¹⁰ OHMS			10 ¹⁰ OHMS	10 ¹⁰ OHMS	10 ¹⁰ OHMS
ELECTRICAL LIFE:						
LOW LEVEL 10VDC, 10UA	10X10 ⁸			5X10 ⁸		
LOW LEVEL 10VDC, 4MA						
RATED LOAD 20VDC, 0.5A	6X10 ⁵				6X10 ⁵	6X10 ⁵
RATED LOAD 12VDC, 0.25A				2X10 ⁶		

DEMENSIONS UNIT: MM (INCH)



EXTENSIVE CATALOG INFORMATION ON THE INTERNET
WWW.USRELAYS.COM



coFOR YOUR CONVENIENCE JUST CHARGE IT

USRELAYS AND TECHNOLOGY, INC.
 13851 ROSWELL AVENUE UNITS F/G CHINO, CALIF. 91710 U.S.A.

TEL (909) 902-5112
 FAX (909) 902-5122
WWW.USRELAYS.COM